

Panasonic Alarm Manager (PAM)



It is not a Product, it's a solution

Customised to customer need

Developed in EU

Receives alarms from 3rd Party products

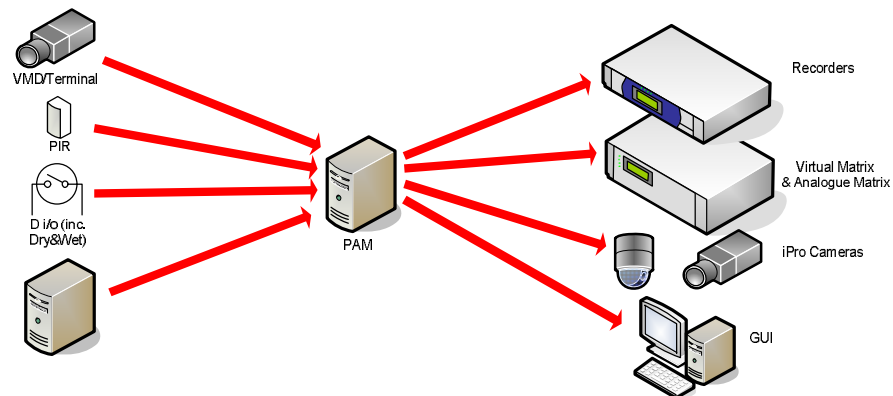
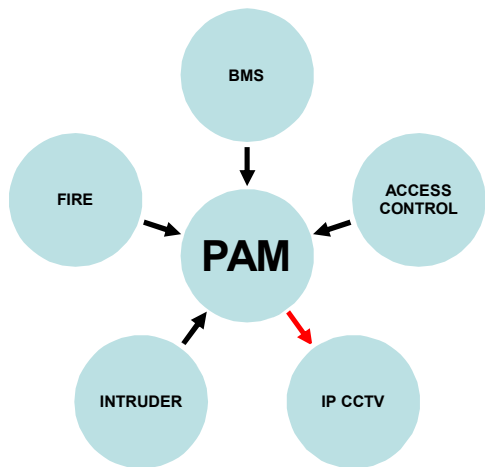
Filter them if needed

Take action on Panasonic products

Integrated 3rd Party Devices

PAM Integrated Devices		
Type	Products/Model/Company	Protocol
Access Control	Paxton	TCP/IP
	ACT	TCP/IP
	Soft Controls	Serial
	TDSi	TCP/IP
	Bravida	Web Service
	Lenel	tbc...
Intruder	Honeywell Galaxy Panel GD960 GD520	Serial (SIA level3)
	Bravida Intruder	Web Service
I/O Panel	ADAM6050 ADAM6060	TCP/IP
Panasonic Alarms	Camera VMD, Terminal	
ISIS	Aspect Art	SOAP
Serial	Any Device that supports alarms message in txt/hex format - with/without stx/etc	Serial
Face Server (ASF900)	Face Alarms and Digital Signage	TCP/IP
Panasonic Fire Panel	Alarms and Events from Fire Panel	TCP/IP
ASC970 Matrix	Events pass to ASC970	Serial and TCP IP integration

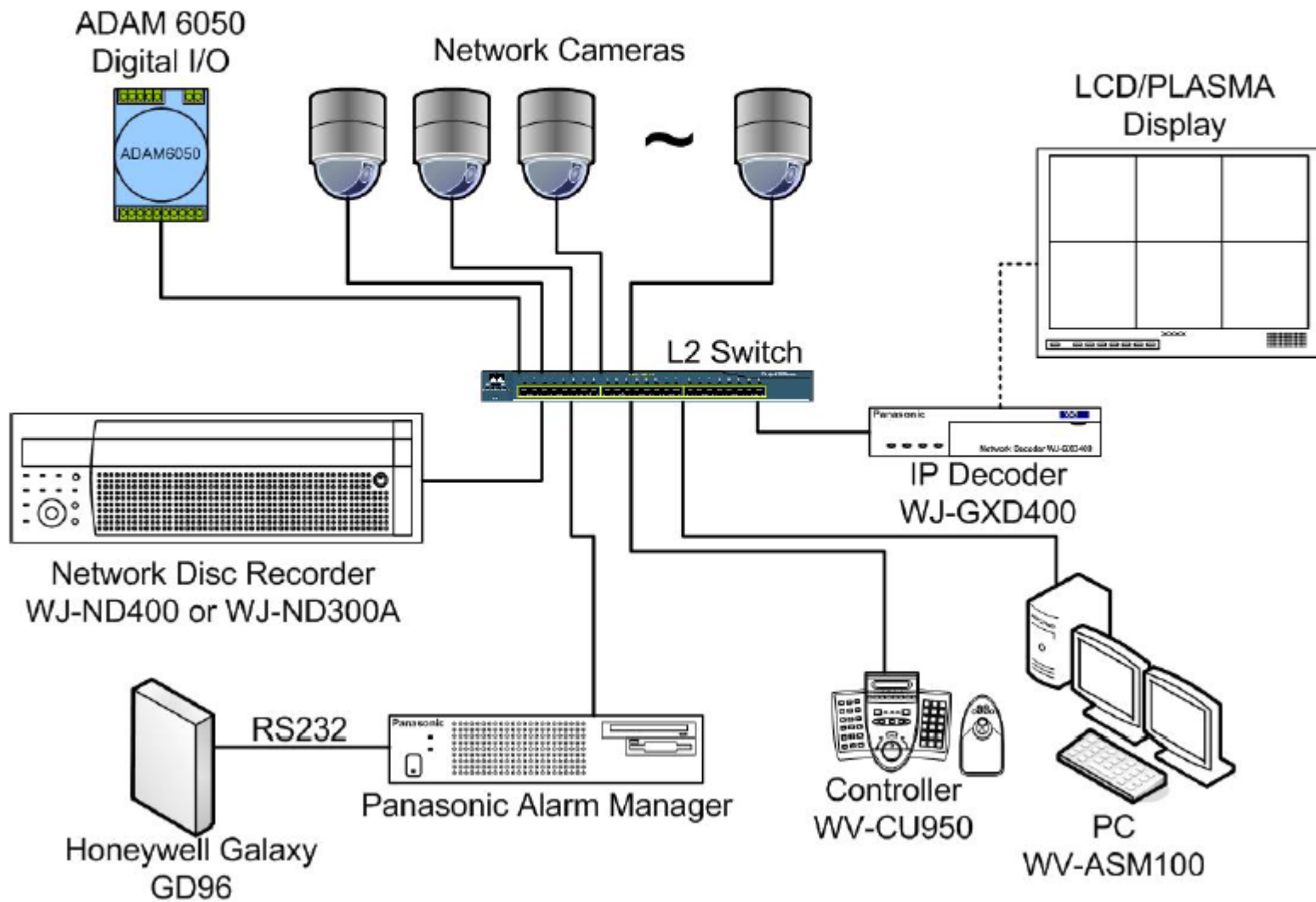
Main Functions



INPUTS	OUTPUTS	FILTERS	Control User Interface
<ul style="list-style-type: none"> • RS232 Serial Alarm Receiving • Integration to Common Intruder Systems • Additional Alarm Inputs (via an Advantech ADAM 6050) • Panasonic Alarm Protocol receiving • Panasonic Matrix RS232 Alarms • XML/SOAP Formatted Alarm Interface • SMTP Alarm Input/Output • Schedule Alarm • Bespoke Input Interface • Panasonic Fire Alarm • Various Access Control alarms 	<ul style="list-style-type: none"> Camera Preset calls on alarm Camera Bit-Rate changing on alarm Camera Auto Tracking Command Alarm Outputs Panasonic Alarm Protocol sending RS232 Alarm Sending to ASC970 Panasonic Matrix RS232 Alarms XML/SOAP GXD400 Control 	<ul style="list-style-type: none"> Alarm Scheduling Alarm Filtering on time Alarm Destination Scheduling Individual Alarm Suspension, with manual or automatic re-enabling 	<ul style="list-style-type: none"> Client Application Report Generator Alarm Status Viewer Live/History Smart-Client Web-Interface

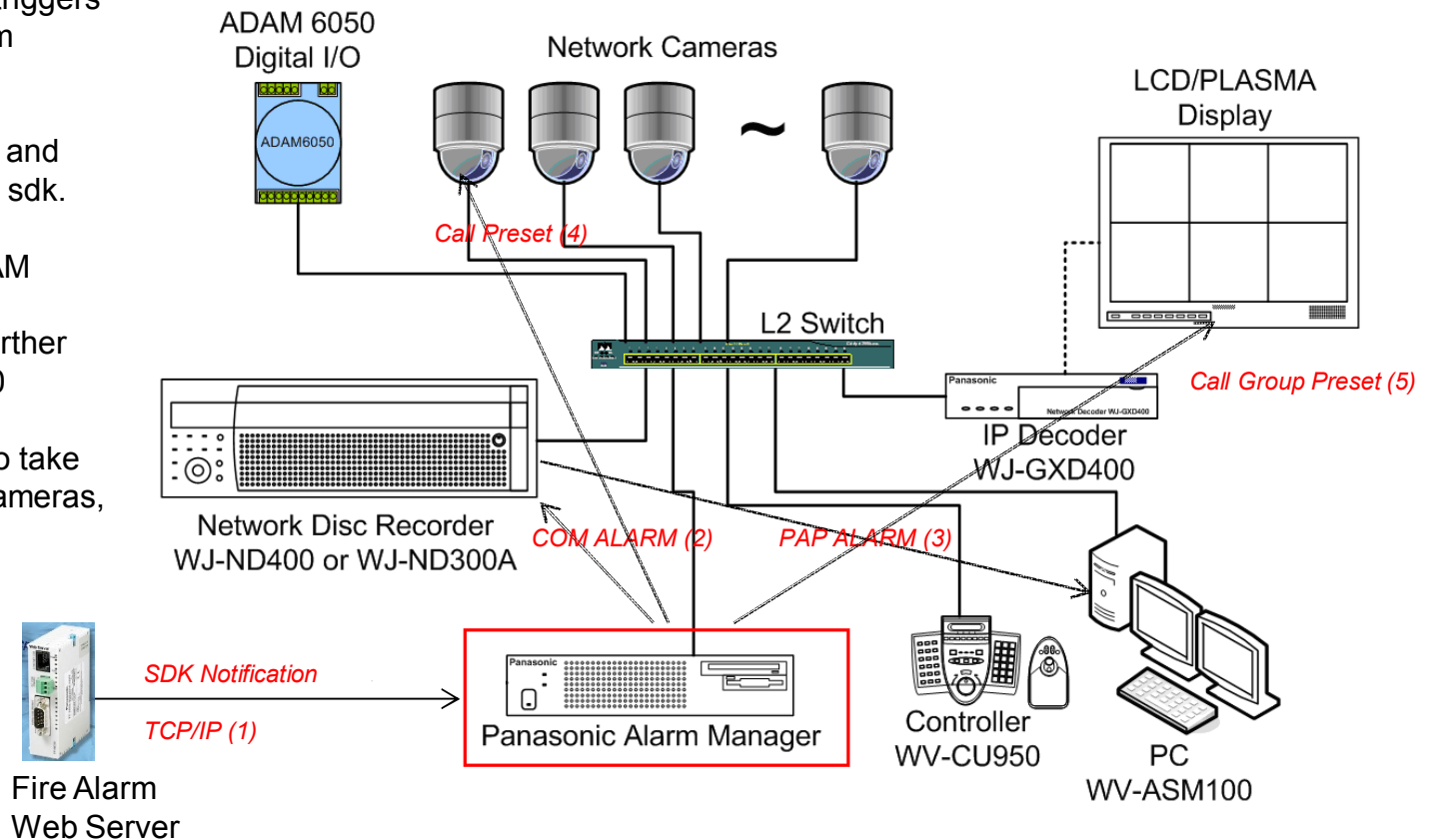
System Schematic

Following figure explains the possible system schematic for PAM installation:

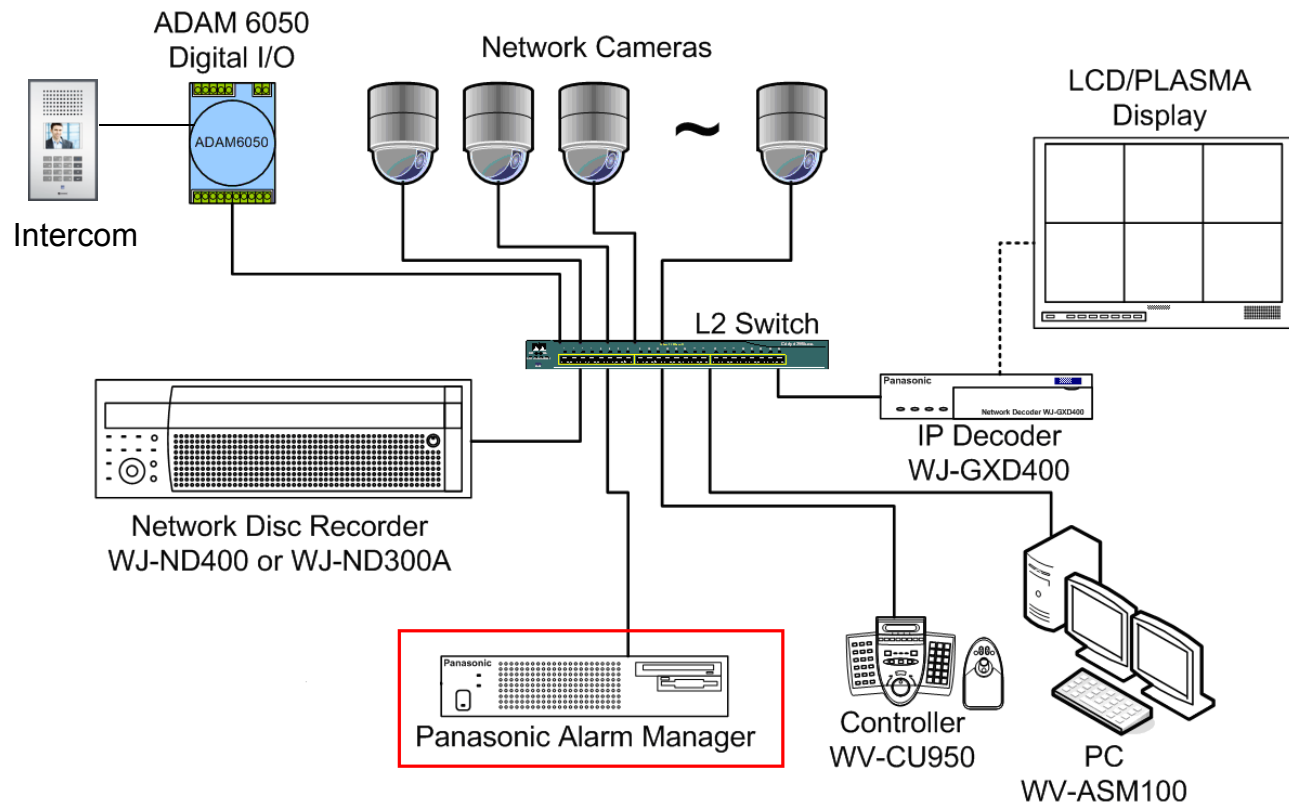


PAM & Fire Alarm Solution

- Fire Alarm has Web server that has SDK/API for interface.
- Fire Alarm interface is available in C# .net language that triggers alarm when any fire alarm occurs at a zone
- PAM too is written in .net and listens to fire alarm using sdk.
- Upon receiving alarm, PAM takes action on NVR as command alarm which further triggers alarm at ASM200
- PAM can be configured to take various action on nvr's, cameras, decoder etc.



PAM & Intercom Solution



PAM & ASC970 Solution

