

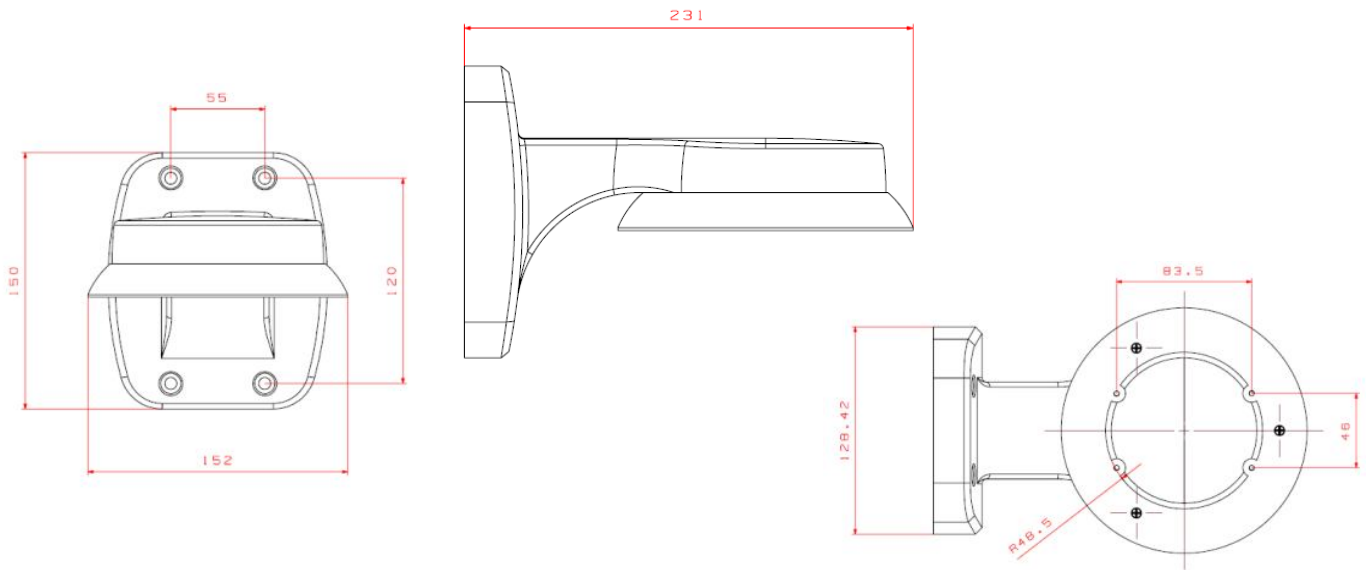
BR-DC500P/9003

Wallmount Bracket



Aluminium Wallmount Bracket Indoor/Outdoor for Fix Dome Cameras:

WV-SFN310A, WV-SFN311A, WV-SFN311L, WV-SFN531, WV-SFN611L, WV-SFN631L,
WV-SFR310A, WV-SFR311A, WV-SFR531, WV-SFR611L, WV-SFR631L, WV-SFV310A,
WV-SFV311A, WV-SFV531, WV-SFV611L, WV-SFV631L, WV-SFV631LT, WV-SFV781L,
WV-SW458, WV-SW458MA, WV-SFV481, WV-SFV781L, WV-SW458, WV-SW458MA, WV-SFV481



Characteristics	
Metal	Aluminum
Dimension	231*152*150mm
Weight	0.8kg