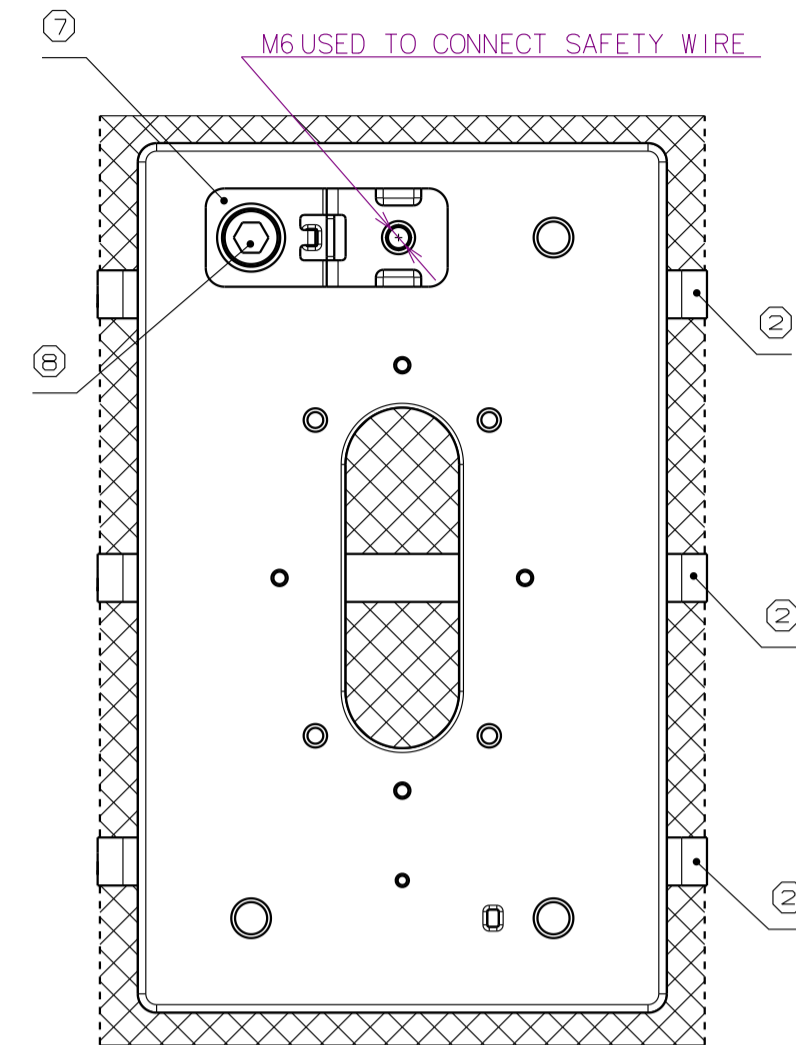
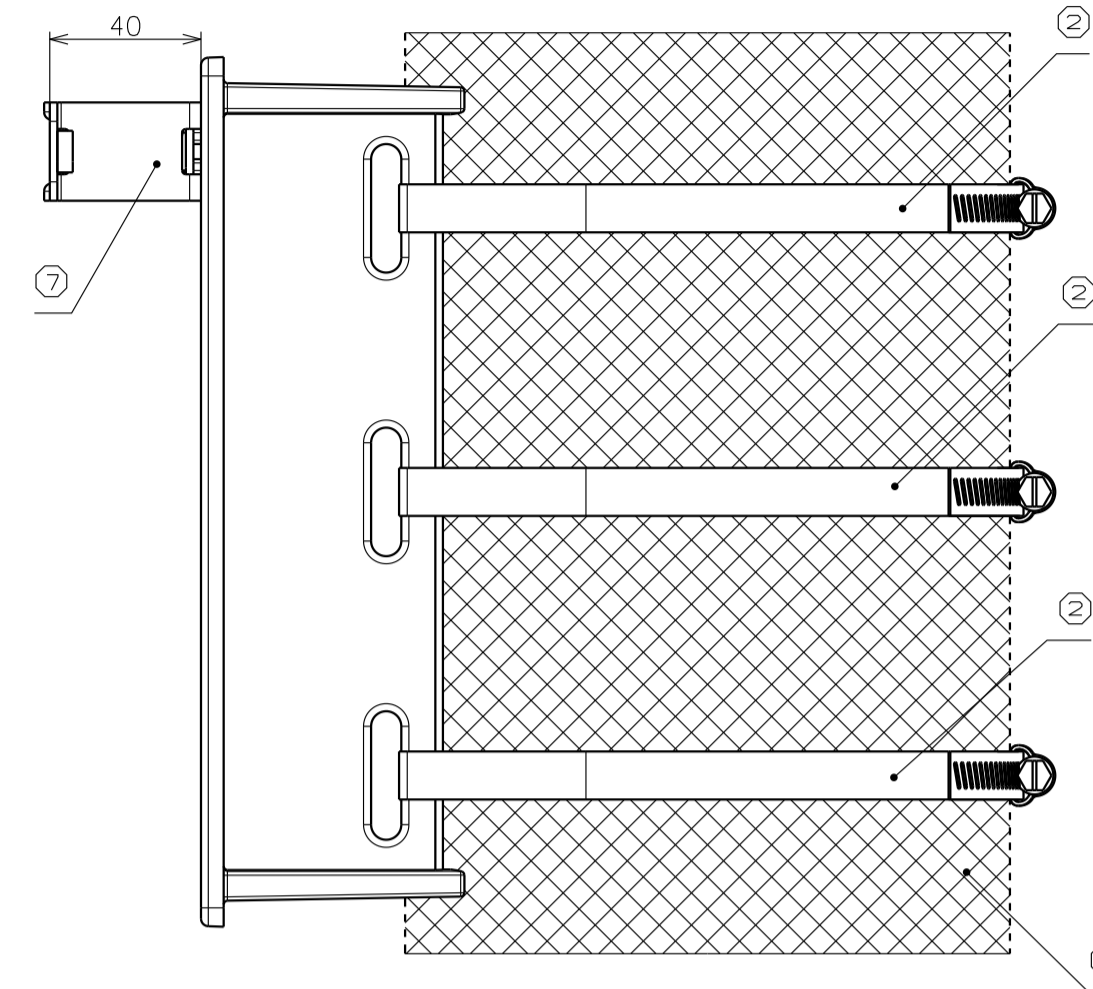


APPLICABLE INSTALLATION SCOPE  
SCALE (1:2)

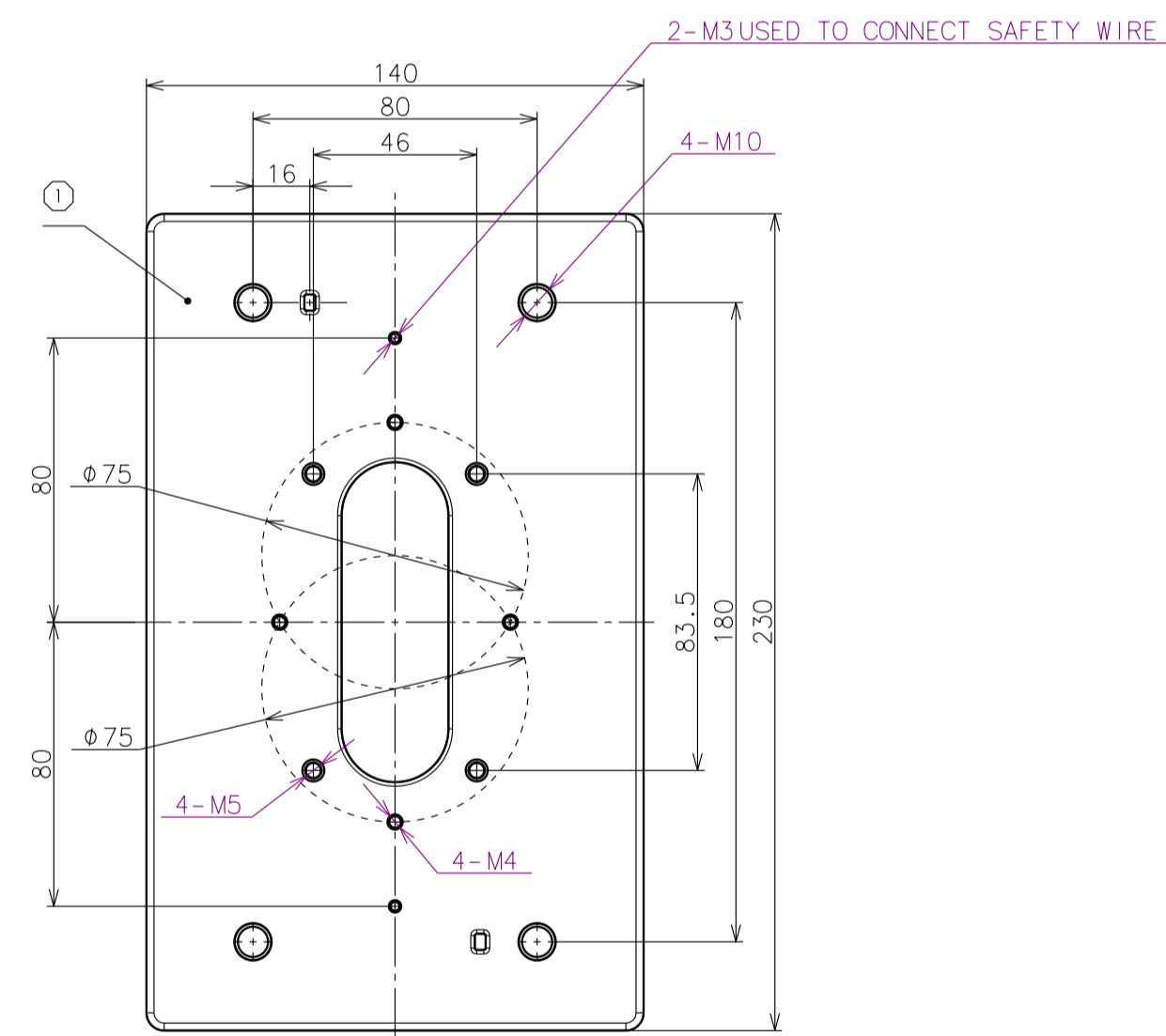


INSTALLATION STATUS  
SCALE (1:2)

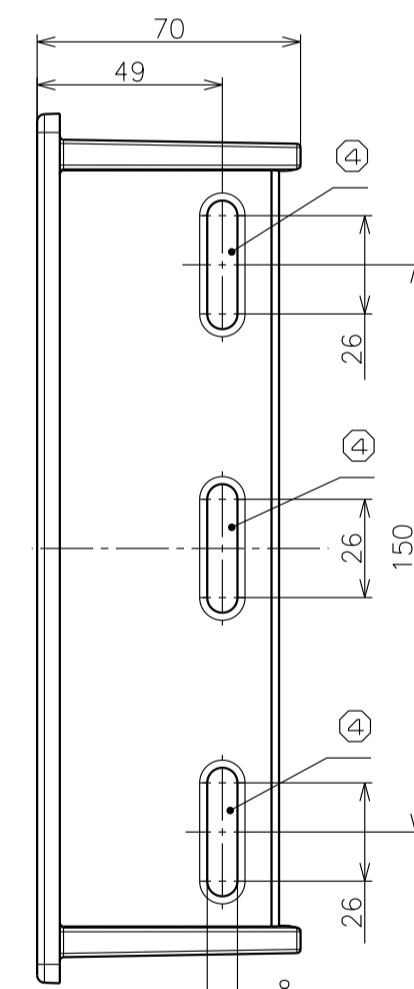


INSTALLATION STATUS  
SCALE (1:2)

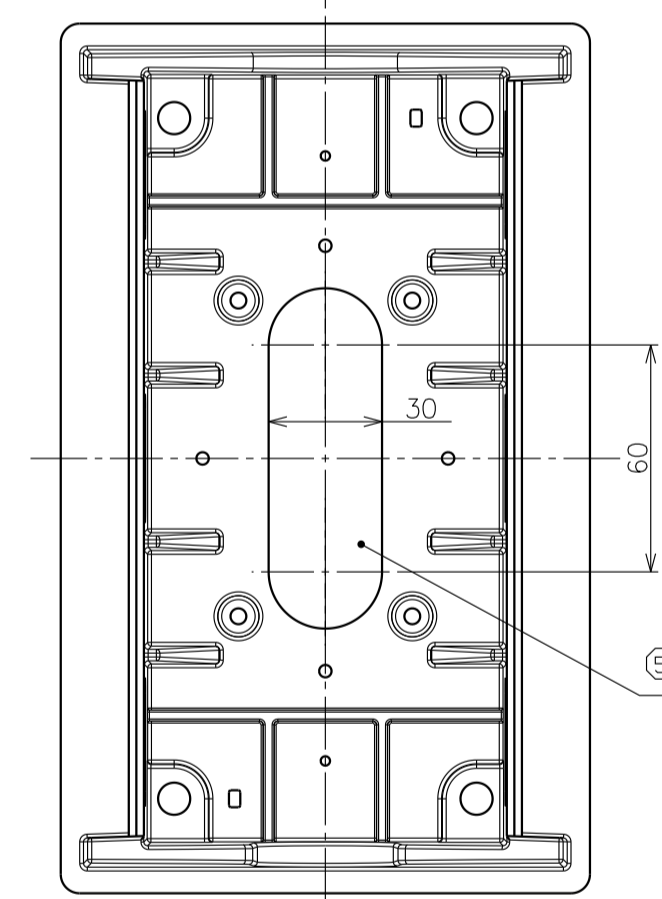
| NO. | Part Name                         | 品番                 | Material | Process・Remark  |
|-----|-----------------------------------|--------------------|----------|---|
| 1   | Pole Mount Bracket                | ポール取付具             | ADC12    | Painting: WV-Q182 Light grey<br>WV-Q188 Fine silver                       |
| 2   | Fixing Bands                      | 固定用バンド             | SUS304   | Accessory   |
| 3   | Wiring Port                       | 配線口                | -        | -   |
| 4   | Access Hole of Fixing Band        | 固定用バンド通し穴          | -        | -   |
| 5   | Cable Access Hole                 | ケーブル通し穴            | -        | -   |
| 6   | Pole(Structure)                   | ポール(構造)            | -        | Vertical round pillars  |
| 7   | Safety Wire Fixing Bracket        | 落下防止ワイヤー固定金具       | SUS304   | Accessory(Only for WV-Q188)   |
| 8   | Hexagon socket head cap screw M10 | M10六角頭ボルト          | SUS304   | Accessory(Only for WV-Q188)   |
| 9   | Mount Bracket                     | 取付金具               | -        | Other Product:(WV-Q182 connection WV-Q185<br>WV-Q188 connection WV-Q122A) |
| 10  | Camera WV-CW314L                  | カメラ WV-CW314L      | -        | Other Product(Only for WV-Q188)   |
| 11  | Camera WV-S1531LN                 | カメラ WV-S1531LN     | -        | Other Product(Only for WV-Q188)   |
| 12  | Camera WV-S1531LN                 | カメラ WV-S1531LN     | -        | Other Product(Only for WV-Q188)   |
| 13  | Adapter Box or WV-Q120A           | 取付金具 あいぼ  WV-Q120A | -        | Other Product(Only for WV-Q188)   |



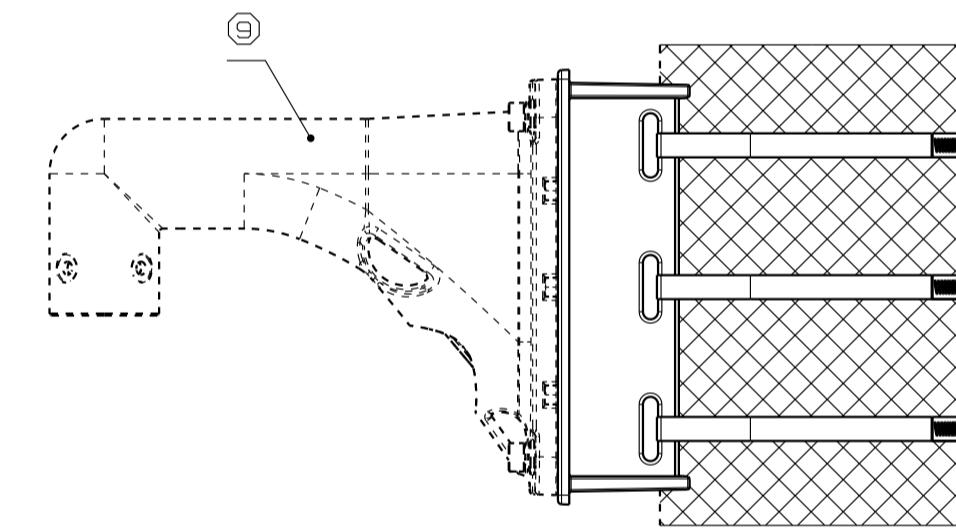
SCALE (1:2)



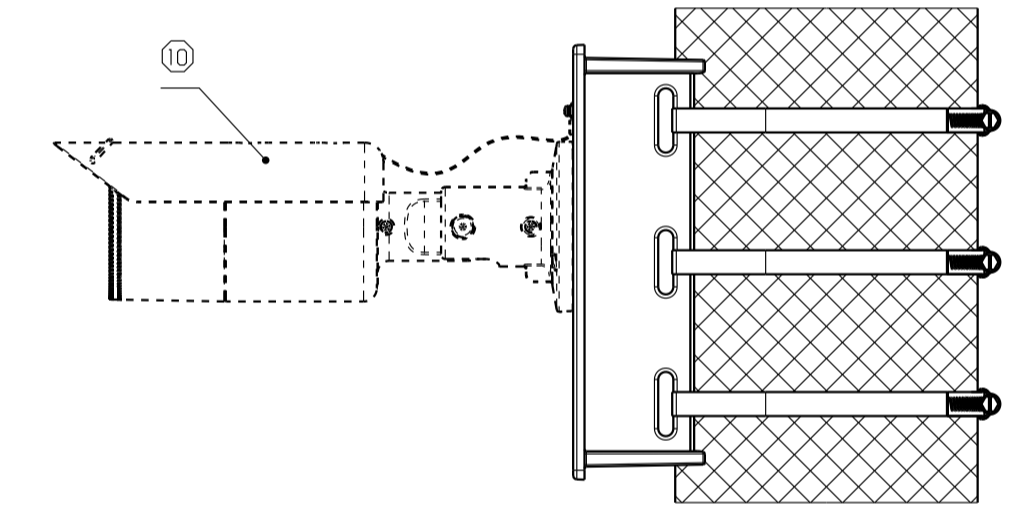
SCALE (1:2)



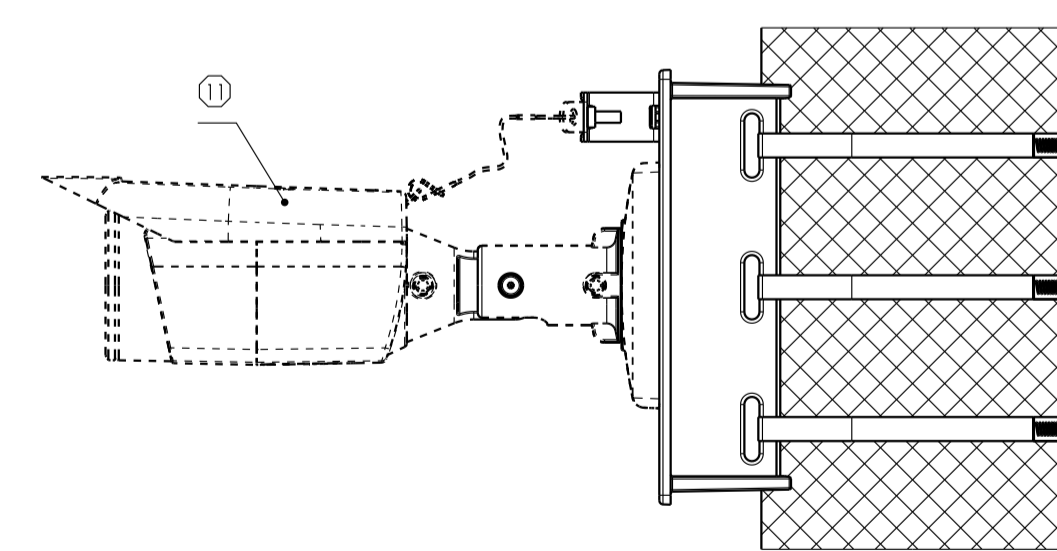
SCALE (1:2)



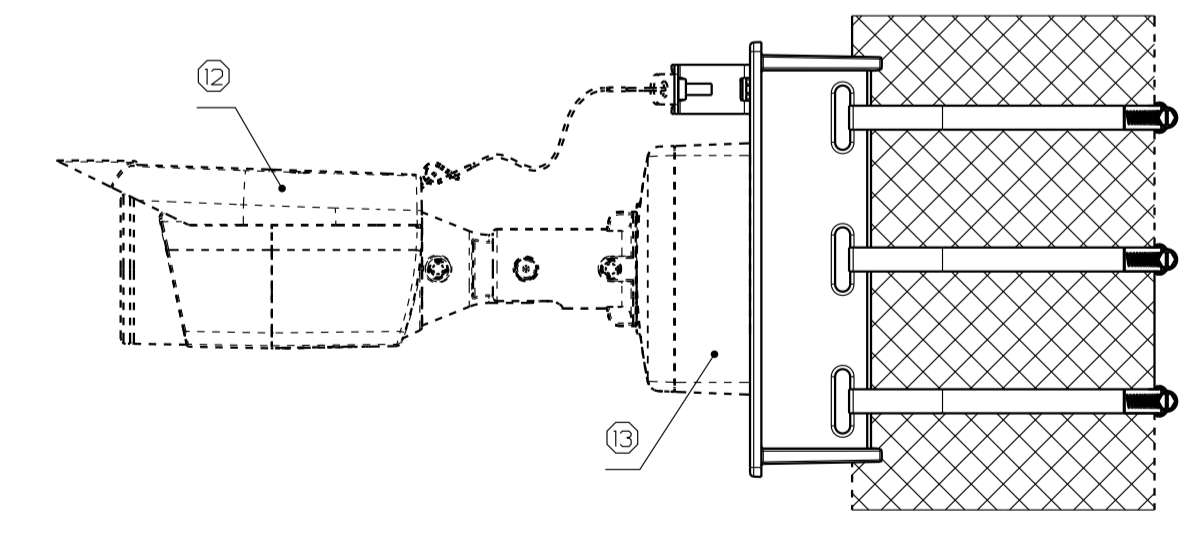
USE 4-M10 SCREW HOLES  
SCALE (1:4)



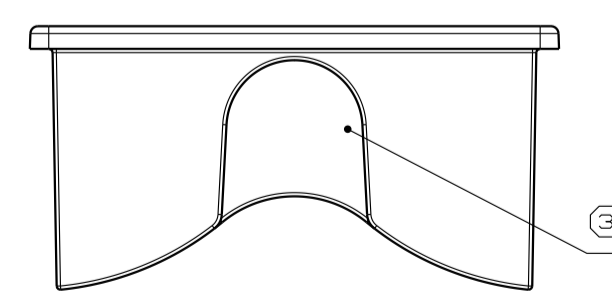
USE 3-M4 SCREW HOLES  
SCALE (1:4)



USE 4-M4 SCREW HOLES  
SCALE (1:4)



USE 4-M5 SCREW HOLES(CONTAINS WV-Q120A OR ADAPTER BOX)  
SCALE (1:4)



SCALE (1:2)

WV-Q182(WV-Q182ZYS)  
WV-Q188(WV-Q188UYS)  
APPEARANCE M-Mb